



官方网站



## 英国安可科技有限公司

地址：英国伦敦市伍德格林196号公路1343室  
<http://www.akdv.vip> 邮编:N22 8HH  
电话:400-9988-269(中国服务热线)



享受高贵生活

# 无惧征途、

无谓挑战、志向高远的传奇历史始于

# 1985

# 32

匠心品质  
1985



► 品牌历史追溯，《英国工业、全球典范》

## ► 自1985年以来

伍德格林 (Wood Green) 就是安可迪维的故乡。英国伦敦北部哈林盖区 (London Borough of Haringey) 附近的小镇。这里在伍德格林的安可迪维总部不仅是高层部门办公室的所在地，也是卫浴和暖通产品设计的研发中心。

## ► 安可迪维/历史

历史回顾，一切从梦想开始

1985年，安斯戈尔 ( Ann Gore ) 先生以家族传承手工艺，家族名声显赫，受贵族委托，为其打造家庭卫浴一隅，安斯戈尔品牌历史开始启程。

1990年，他凭借精湛工艺的传承手工打造第一款暖通产品问世，并在伍德格林创立了，安斯戈尔暖通有限公司，以匠心精神的传承与精真美学设计融为一体，使传奇的故事从此正式拉开了序幕。

2001年，安斯戈尔 ( Ann Gore ) 更名为安可·迪维 ( Akdv )，时至今日，这个名字依然象征着英国豪华定制卫浴，安可迪维彰显出品质可靠，简洁美观和性能卓越倍人的特性，随之逐渐发展壮大。

2017年，安可·迪维 ( Akdv ) 带着成熟的工艺，完美的品质，来到了中国，在这片大中华的热土上传奇故事才刚刚开始。

## ► 安可迪维/中国

世界各地，有暖通的地方就有安可迪维的足迹，用品质丈量世界！安可迪维有近95%的产量用于出口，目前已占有60个市场，并在2003至2016年，经销商网络遍布为全球160个国家和地区。安可迪维—源于英国工业的卓越，全世界的梦想



## 商标创意 [释义]

创意直观元素：房子、瀑布、金字塔、首字母

建筑房子：代表着行业的服务对象及品牌的受众群体，面向的市场人群，不仅是工程还有中高档家装市场。

瀑布：体现着流体企业自身的特性，让流动更精彩，也象征着企业的宏伟壮观、气势磅礴！

金字塔：品质如金，是每个企业家发展宏伟蓝图的立命之本，以品质为基，在经济高速发展的今天我们安克人用品质铸就辉煌。

首字母A：品牌名称是第一介绍信，所以用首字母A来做创意构图，更具说服力，加快对品牌的认知。

▶ 建筑/房子



▶ 金字塔/品质



▶ 瀑布/流体



▶ A/首字母



# 品牌释义

外观极简彰显国际风范，让品质生活，与众不同



## 流体[设计]

外观极简彰显国际风范，让品质生活，与众不同

### AK0101

不锈钢分集水器

## 不锈钢分集水器

### 产品特点:

不锈钢分集水器主管材质为不锈钢，支管控制阀芯及支管接口材质为欧洲标准铜合金，供水支管带可视流量调节阀，便于对各支路的水利平衡调节和流量显示，回水支管带手动控制阀，也可配自动控制电热执行器。

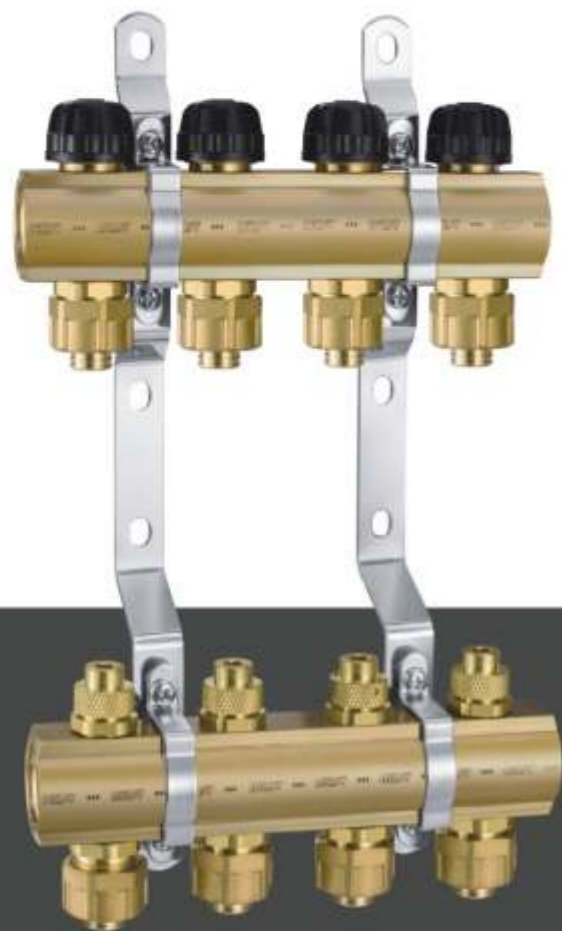
不锈钢分集水器具有优异的力学性能，能承受高负荷的冲击及热胀冷缩，确保不发生爆裂和漏水的情况。另外不锈钢材质几乎不需要维护，明显降低漏水率，使用寿命长，不锈钢材质其表面的富铬氧化膜具有很强的耐腐蚀性，光滑的内壁表面可以保护水质不受污染，阻止水垢在内壁表面沉积，是高温应用的优良材料之选。



# AK0102

### TECHNICAL PARAMETERS:

Material: stainless steel  
 Applicable medium: water, non corrosive liquid, saturated steam  
 Maximum working pressure: 0.6Mpa  
 Working temperature: -20℃ ≤ t ≤ 60℃  
 Main interface: G1"  
 Branch Interface: φ16-φ20  
 Pipe spacing: 50mm



# AK0103

### TECHNICAL PARAMETERS:

Material: CW617N  
 Applicable medium: water, non corrosive liquid, saturated steam  
 Maximum working pressure: 1.6Mpa  
 Working temperature:  $-20^{\circ}\text{C} \leq t \leq 120^{\circ}\text{C}$   
 Supervisor interface: G1"  
 Interface:  $\phi 16-\phi 20$   
 Pipe spacing: 50mm



## 黄铜分集水器

黄铜分集水器主管，支管控制阀芯及支管接口材质为欧洲标准铜合金，供水支管带手动控制阀，也可配自动控制电热执行器，可实现分段智能控制，回水支管手动控制阀，产品表面黄铜本色，经特殊防腐处理，光滑的内壁表面可以保护水质不受污染，阻止水垢在内壁表面沉积，是高温应用的优良材料之选，降耗；给客户id提供满意的供暖效果。

### 产品特点:

# AK0104

### TECHNICAL PARAMETERS:

Material: CW617N  
 Applicable medium: water, non corrosive liquid, saturated steam  
 Maximum working pressure: 1.6Mpa  
 Working temperature:  $-20^{\circ}\text{C} \leq t \leq 120^{\circ}\text{C}$   
 Main interface: G1"  
 Branch Interface:  $\phi 16-\phi 20$   
 Pipe spacing: 50mm



# 多功能球阀



## 概述:

黄铜多功能排污过滤球阀是输送介质管道上不可缺少的一种装置,通常安装在分集水器进口端,用来消除介质中的杂质、控制水流量、测温、测压、过滤、排污的综合性阀门。

**产品功能:** 1.过滤功能:阀体内配有304不锈钢过滤网(防锈),使用寿命长。在进水过程中对水中所含杂质起到过滤作用。当流体进入置有一定规格滤网的滤筒后,其杂质被阻挡,而清洁的滤液则由过滤器出口排出,定期清洗时,只要将可拆卸的滤网取出,处理后重新装入即可,因此,使用维护极为方便。

2.排污功能:在过滤网接口处连接一排污阀,此排污阀芯子开4个排污口。主体可以360度旋转,因此能够适合产品安装在不同的环境中调节排污口方向。当排污阀阀杆打开时管道介质就从泄水口流出,同时过滤网杂质也一起流出,杂质排出后顺时针旋转阀杆关闭排污阀并盖上阀帽。

3.测压力、温度功能:在新的功能配上温度压力两用表,具有显示进水温度、压力的功能。此设计方案可以通过调节球阀开关大小,控制进水量的大小从而起到调节用户室温的要求,达到节能降耗的作用。

Applicable medium: water, non corrosive liquid, saturated vapor

Nominal pressure: 1.6Mpa

Work temperature:  $-20^{\circ}\text{C} \leq t \leq 120^{\circ}\text{C}$

Size:  $1 \times 25^{\circ}$ ,  $1 \times 32^{\circ}$

## AK1001



## 技术规格:

- ◆ The main material: high density forging Brass
- ◆ Applicable medium: water, non corrosive liquid that
- ◆ Suitable temperature:  $-20^{\circ}\text{C} \leq t \leq 120^{\circ}\text{C}$
- ◆ Nominal pressure:  $\text{PN} \leq 1.6\text{MPa}$

英国安可科技有限公司



# 32 years

无惧征途、  
砥砺前行、  
您的信任、  
我们的使命



### AK1002

Applicable medium: water, non corrosive liquid, saturated vapor  
Nominal pressure: 1.6Mpa  
Work temperature:  $-20^{\circ}\text{C} \leq t \leq 120^{\circ}\text{C}$   
Size:  $1 \times 3/4^{\circ}$ ,  $1 \times 1^{\circ}$



### AK1003

Applicable medium: water, non corrosive liquid, saturated vapor  
Nominal pressure: 1.6Mpa  
Work temperature:  $-20^{\circ}\text{C} \leq t \leq 120^{\circ}\text{C}$   
Size:  $\text{M1} \times \text{F3/4}^{\circ}$ ,  $1 \times 1^{\circ}$



### AK1101

Applicable medium: water, non corrosive liquid, saturated vapor  
Nominal pressure: 1.6Mpa  
Work temperature:  $-20^{\circ}\text{C} \leq t \leq 120^{\circ}\text{C}$   
Size:  $1 \times 25^{\circ}$ ,  $1 \times 32^{\circ}$



### AK1102

Applicable medium: water, non corrosive liquid, saturated vapor  
Nominal pressure: 1.6Mpa  
Work temperature:  $-20^{\circ}\text{C} \leq t \leq 120^{\circ}\text{C}$   
Size:  $\text{F1} \times \text{M3/4}^{\circ}$ ,  $1 \times 1^{\circ}$



### AK1103

Applicable medium: water, non corrosive liquid, saturated vapor  
Nominal pressure: 1.6Mpa  
Work temperature:  $-20^{\circ}\text{C} \leq t \leq 120^{\circ}\text{C}$   
Size:  $1 \times 3/4^{\circ}$ ,  $1 \times 1^{\circ}$



### AK1000

Applicable medium: water, non corrosive liquid, saturated vapor  
Nominal pressure: 1.6Mpa  
Work temperature:  $-20^{\circ}\text{C} \leq t \leq 120^{\circ}\text{C}$



无惧征途、  
无谓挑战、志向高远的传奇历史始于

32  
years

**ANGLE TYPE  
MULTI-FUNCTIONAL  
BALL VALVE**



**AK1201**

Applicable medium: water, non corrosive liquid, saturated vapor  
Nominal pressure: 1.6Mpa  
Work temperature:  $-20^{\circ}\text{C} \leq t \leq 120^{\circ}\text{C}$   
Size: 1 × 25", 1 × 32"



**AK1202**

Applicable medium: water, non corrosive liquid, saturated vapor  
Nominal pressure: 1.6Mpa  
Work temperature:  $-20^{\circ}\text{C} \leq t \leq 120^{\circ}\text{C}$   
Size: 1 × 3/4", 1 × 1"



**AK1203**

Applicable medium: water, non corrosive liquid, saturated vapor  
Nominal pressure: 1.6Mpa  
Work temperature:  $-20^{\circ}\text{C} \leq t \leq 120^{\circ}\text{C}$   
Size: M1 × F3/4", 1 × 1"



**AK1301**

Applicable medium: water, non corrosive liquid, saturated vapor  
Nominal pressure: 1.6Mpa  
Work temperature:  $-20^{\circ}\text{C} \leq t \leq 120^{\circ}\text{C}$   
Size: 1 × 25", 1 × 32"



**AK1302**

Applicable medium: water, non corrosive liquid, saturated vapor  
Nominal pressure: 1.6Mpa  
Work temperature:  $-20^{\circ}\text{C} \leq t \leq 120^{\circ}\text{C}$   
Size: F1 × M3/4", 1 × 1"



**AK1303**

Applicable medium: water, non corrosive liquid, saturated vapor  
Nominal pressure: 1.6Mpa  
Work temperature:  $-20^{\circ}\text{C} \leq t \leq 120^{\circ}\text{C}$   
Size: 1 × 3/4", 1 × 1"



**AK1401**

Applicable medium: water, non corrosive liquid, saturated vapor  
Nominal pressure: 1.6Mpa  
Work temperature:  $-20^{\circ}\text{C} \leq t \leq 120^{\circ}\text{C}$   
Size: 1 × 25", 1 × 32"



**AK1501**

Applicable medium: water, non corrosive liquid, saturated vapor  
Nominal pressure: 1.6Mpa  
Work temperature:  $-20^{\circ}\text{C} \leq t \leq 120^{\circ}\text{C}$   
Size: 1 × 25", 1 × 32"



**AK1601**

Applicable medium: water, non corrosive liquid, saturated vapor  
Nominal pressure: 1.6Mpa  
Work temperature:  $-20^{\circ}\text{C} \leq t \leq 120^{\circ}\text{C}$   
Size: 1 × 25", 1 × 32"



**AK1701**

Applicable medium: water, non corrosive liquid, saturated vapor  
Nominal pressure: 1.6Mpa  
Work temperature:  $-20^{\circ}\text{C} \leq t \leq 120^{\circ}\text{C}$   
Size: 1 × 25", 1 × 32"

**[1985]**

安可迪维已为全球数千万家庭提供高品质产品



**产品特点**

Applicable medium: water, non corrosive liquid, saturated vapor  
Nominal pressure: 1.6Mpa  
Work temperature:  $-20^{\circ}\text{C} \leq t \leq 120^{\circ}\text{C}$

## BALL VALVE

### AK2001

Applicable medium: water, non corrosive liquid, saturated vapor

Nominal pressure: 1.6Mpa

Work temperature:  $-20^{\circ}\text{C} \leq t \leq 120^{\circ}\text{C}$

Size:  $3/4" \times 20$ ,  $3/4" \times 25$ ,  $1" \times 25$ ,  $1" \times 32$ ,  $1/4" \times 32$



### AK2002

Applicable medium: water, non corrosive liquid, saturated vapor

Nominal pressure: 1.6Mpa

Work temperature:  $-20^{\circ}\text{C} \leq t \leq 120^{\circ}\text{C}$

Size:  $20 \times 20$ ,  $25 \times 25$ ,  $32 \times 32$



### AK2003

Applicable medium: water, non corrosive liquid, saturated vapor

Nominal pressure: 1.6Mpa

Work temperature:  $-20^{\circ}\text{C} \leq t \leq 120^{\circ}\text{C}$

Size:  $1/2" \times 20$ ,  $3/4" \times 25$ ,  $1" \times 32$



### AK2004

Applicable medium: water, non corrosive liquid, saturated vapor

Nominal pressure: 1.6Mpa

Work temperature:  $-20^{\circ}\text{C} \leq t \leq 120^{\circ}\text{C}$

Size:  $1" \times 25$ ,  $1/4" \times 32$



### AK2005

Applicable medium: water, non corrosive liquid, saturated vapor

Nominal pressure: 1.6Mpa

Work temperature:  $-20^{\circ}\text{C} \leq t \leq 120^{\circ}\text{C}$

Size:  $1/2" \times 20$ ,  $3/4" \times 25$ ,  $1" \times 32$



### AK2006

Applicable medium: water, non corrosive liquid, saturated vapor

Nominal pressure: 1.6Mpa

Work temperature:  $-20^{\circ}\text{C} \leq t \leq 120^{\circ}\text{C}$

Size:  $16 \times 16$ ,  $20 \times 20$



智能 环保 健康 耐用

## 产品说明:

球阀的作用及球阀原理 球阀是由旋塞阀演变而来的,它的启闭件作为一个球体,利用球体绕阀杆的轴线旋转 90 度实现开启和关闭的目的,不同的是旋塞体是球体,有圆形通孔或通道通过其轴线。球面和通道口的比例应该是这样的,即当球旋转 90 度时,在进、出口处应全部呈现球面,从而截断流动。球阀的作用在管道上主要用于切断、分配和改变介质流动方向,设计成 V 形开口的球阀还具有良好的流量调节功能。

## 产品特点:

1、流体阻力小,其阻力系数与同长度的管段相等; 2、结构简单、体积小、重量轻; 3、紧密可靠,目前球阀的密封材料广泛使用塑料、密封性好,在真空系统中也已广泛使用; 4、操作方便,开闭迅速,从全开到全关只要旋转 90°,便于远距离的控制; 5、维修方便,球阀结构简单,密封圈一般都是活动的,拆卸更换都比较方便; 6、在全开或全闭时,球体和阀座的密封面与介质隔离,介质通过时,不会引起阀门密封面的侵蚀; 7、适用范围广,通径从小到几毫米,大到几米,从真空至高压都可应用。



### AK2101

PP-R Angel type live-fit ball valve(male thread)

Size:  $1/2" \times 20$ ,  $3/4" \times 20$ ,  $3/4" \times 25$ ,  $1" \times 25$ ,  $1" \times 32$



### AK2102

PP-R Angel type live-fit ball valve(female thread)

Size:  $1" \times 25$ ,  $1" \times 32$ ,  $1/2" \times 32$



智能 环保 健康 耐用

## PRODUCT FEATURES

Applicable medium: water, non corrosive liquid, saturated vapor

Nominal pressure: 1.6Mpa

Work temperature:  $-20^{\circ}\text{C} \leq t \leq 120^{\circ}\text{C}$



### AK2103

PP-R Angel type live-fit PE-AL pipe ball valve(male thread)

Size:  $1/2" \times 16$ ,  $1/2" \times 20$ ,  $3/4" \times 16$ ,  $3/4" \times 20$ ,  $1" \times 20$ ,  $3/4" \times 16$  (1/2" body),  $3/4" \times 20$  (1/2" body)





# 科技驱动未来，

品质改变生活

## 只为 高端定制！

安可迪维已为全球数千万家庭提供高品质产品

安可迪维以科技驱动未来，品质改变生活为目标，将为社会高端消费群体提供专业的供暖设备。





## 双控双接口球阀



### 产品说明:

球阀的作用及球阀原理 球阀是由旋塞阀演变而来的,它的启闭件作为一个球体,利用球体绕阀杆的轴线旋转 90 度实现开启和关闭的目的,不同的是旋塞体是球体,有圆形通孔或通道通过其轴线。球面和通道口的比例应该是这样的,即当球旋转 90 度时,在进、出口处应全部呈现球面,从而截断流动。球阀的作用在管道上主要用于切断、分配和改变介质流动方向,设计成 V 形开口的锅炉球阀还具有良好的流量调节功能。

### 产品特点:

1、双控双接头可根据用户需求调节管路的开启、关闭状态; 2、流体阻力小,其阻力系数与同长度的管段相等; 3、结构简单、体积小、重量轻; 4、紧密可靠,目前球阀的密封材料广泛使用塑料、密封性好,在真空系统中也已广泛使用; 5、操作方便,开闭迅速,从全开到全关只要旋转 90°,便于远距离的控制; 6、维修方便,球阀结构简单,密封圈一般都是活动的,拆卸更换都比较方便; 7、在全开或全闭时,球体和阀座的密封面与介质隔离,介质通过时,不会引起阀门密封面的侵蚀; 8、适用范围广,口径从小到几毫米,大到几米,从真空至高压都可应用;



### AK2201

Applicable medium: water, non corrosive liquid, saturated vapor  
Nominal pressure: 1.6Mpa  
Work temperature:  $-20^{\circ}\text{C} \leq t \leq 120^{\circ}\text{C}$   
Size:  $3/4" \times 1/2" \times 1/2"$ ,  $3/4" \times 3/4" \times 3/4"$   
 $1" \times 1/2" \times 1/2"$ ,  $1" \times 3/4" \times 3/4"$



### AK2202

Applicable medium: water, non corrosive liquid, saturated vapor  
Nominal pressure: 1.6Mpa  
Work temperature:  $-20^{\circ}\text{C} \leq t \leq 120^{\circ}\text{C}$   
Size:  $3/4" \times 16 \times 16$ ,  $3/4" \times 20 \times 20$   
 $1" \times 16 \times 16$ ,  $1" \times 20 \times 20$



### AK2203

Applicable medium: water, non corrosive liquid, saturated vapor  
Nominal pressure: 1.6Mpa  
Work temperature:  $-20^{\circ}\text{C} \leq t \leq 120^{\circ}\text{C}$   
Size:  $3/4" \times 20 \times 20$ ,  $3/4" \times 25 \times 25$ ,  $1" \times 20 \times 20$ ,  $1" \times 25 \times 25$

英国安可科技有限公司



### AK2301

Applicable medium: water, non corrosive liquid, saturated vapor  
Nominal pressure: 1.6Mpa  
Work temperature:  $-20^{\circ}\text{C} \leq t \leq 120^{\circ}\text{C}$   
Size:  $1" \times 1/2" \times 1/2"$ ,  $1" \times 3/4" \times 3/4"$



### AK2302

Applicable medium: water, non corrosive liquid, saturated vapor  
Nominal pressure: 1.6Mpa  
Work temperature:  $-20^{\circ}\text{C} \leq t \leq 120^{\circ}\text{C}$   
Size:  $1" \times 16 \times 16$ ,  $1" \times 20 \times 20$



### AK2303

Applicable medium: water, non corrosive liquid, saturated vapor  
Nominal pressure: 1.6Mpa  
Work temperature:  $-20^{\circ}\text{C} \leq t \leq 120^{\circ}\text{C}$   
Size:  $1" \times 20 \times 20$ ,  $1" \times 25 \times 25$





# 双控双接口球阀



### AK2401

Double interface live-fit ball valve(male thread)  
 Applicable medium: water, non corrosive liquid, saturated vapor  
 Nominal pressure: 1.6Mpa  
 Work temperature: -20℃ ≤ t ≤ 120℃  
 Size: 3/4" × 3/4" × 3/4", 1" × 3/4" × 3/4"



### AK2402

Double interface live-fit PE-AL pipe ball valve(male thread)  
 Applicable medium: water, non corrosive liquid, saturated vapor  
 Nominal pressure: 1.6Mpa  
 Work temperature: -20℃ ≤ t ≤ 120℃  
 Size: 3/4" × 16 × 16, 3/4" × 20 × 20, 3/4" × 25 × 25  
 1" × 16 × 16, 1" × 20 × 20, 1" × 25 × 25



### AK2403

PP-R connector double interface live-fit ball valve(male thread)  
 Applicable medium: water, non corrosive liquid, saturated vapor  
 Nominal pressure: 1.6Mpa  
 Work temperature: -20℃ ≤ t ≤ 120℃  
 Size: 3/4" × 20 × 20, 3/4" × 25 × 25, 1" × 20 × 20, 1" × 25 × 25

# [1985]

安可迪维已为全球数千万家庭提供高品质产品



### AK2502

Double interface live-fit PE-AL pipe ball valve(female thread)  
 Applicable medium: water, non corrosive liquid, saturated vapor  
 Nominal pressure: 1.6Mpa  
 Work temperature: -20℃ ≤ t ≤ 120℃  
 Size: 1" × 16 × 16, 1" × 20 × 20



### AK2501

Double interface live-fit ball valve(female and male thread)  
 Applicable medium: water, non corrosive liquid, saturated vapor  
 Nominal pressure: 1.6Mpa  
 Work temperature: -20℃ ≤ t ≤ 120℃  
 Size: 1" × 3/4" × 3/4"



### AK2503

PP-R double interface live-fit ball valve(female thread)  
 Applicable medium: water, non corrosive liquid, saturated vapor  
 Nominal pressure: 1.6Mpa  
 Work temperature: -20℃ ≤ t ≤ 120℃  
 Size: 1" × 20 × 20, 1" × 25 × 25



无惧征途、  
 无谓挑战、志向高远的传奇历史始于

**KDV**  
壁挂炉球阀系列

**32**  
years

**70.000.000**

家庭 初见之选

安可迪维已为全球数千万家庭提供高品质产品  
安可迪维以科技驱动未来，品质改变生活为目标，将为社会各阶层消费群体提供专业的供暖方案



壁挂炉球阀系列

壁挂炉球阀系列

01/Straight-type PE-AL pipe series



02/PP-R straight-type series



03/Straight-type series(male thread)



04/Angle type PE-AL pipe series



05/PP-R angle type pipe series



06/Angle type series(male thread)



无惧征途、  
无谓挑战、志向高远的传奇历史始于



**AK3001**

Applicable medium: water, non corrosive liquid, saturated vapor  
Nominal pressure: 1.6Mpa  
Work temperature: -20℃ ≤ t ≤ 120℃  
Size: 1/2" × 16, 3/4" × 16, 3/4" × 20



**AK3002**

Applicable medium: water, non corrosive liquid, saturated vapor  
Nominal pressure: 1.6Mpa  
Work temperature: -20℃ ≤ t ≤ 120℃  
Size: 1/2" × 20, 3/4" × 20, 3/4" × 25



**AK3003**

Applicable medium: water, non corrosive liquid, saturated vapor  
Nominal pressure: 1.6Mpa  
Work temperature: -20℃ ≤ t ≤ 120℃  
Size: F1/2" × M1/2", F3/4" × M1/2", F3/4" × M3/4"



**AK3101**

Applicable medium: water, non corrosive liquid, saturated vapor  
Nominal pressure: 1.6Mpa  
Work temperature: -20℃ ≤ t ≤ 120℃  
Size: 1/2" × 16, 3/4" × 16, 3/4" × 20



**AK3102**

Applicable medium: water, non corrosive liquid, saturated vapor  
Nominal pressure: 1.6Mpa  
Work temperature: -20℃ ≤ t ≤ 120℃  
Size: 1/2" × 20, 3/4" × 20



**AK3103**

Applicable medium: water, non corrosive liquid, saturated vapor  
Nominal pressure: 1.6Mpa  
Work temperature: -20℃ ≤ t ≤ 120℃  
Size: F1/2" × M1/2", F3/4" × M1/2", F3/4" × M3/4"



**AK3201**

Angle type live-fit PE-AL pipe boiler valve(female thread)  
Applicable medium: water, non corrosive liquid, saturated vapor  
Nominal pressure: 1.6Mpa  
Work temperature: -20℃ ≤ t ≤ 120℃  
Size: 1/2" × 16, 1/2" × 20, 3/4" × 16, 3/4" × 20  
3/4" × 16(1/2"body), 3/4" × 20(1/2"body)



**AK3202**

PP-R angle type live-fit boiler valve(female thread)  
Applicable medium: water, non corrosive liquid, saturated vapor  
Nominal pressure: 1.6Mpa  
Work temperature: -20℃ ≤ t ≤ 120℃  
Size: 1/2" × 20, 3/4" × 20, 3/4" × 25



**AK3203**

Angle type live-fit boiler valve(female and male thread)  
Applicable medium: water, non corrosive liquid, saturated vapor  
Nominal pressure: 1.6Mpa  
Work temperature: -20℃ ≤ t ≤ 120℃  
Size: F1/2" × M1/2", F3/4" × M1/2", F3/4" × M3/4"(1/2"body)  
F3/4" × M3/4"



**AK3301**

Angle type live-fit PE-AL pipe boiler filter valve(female thread)  
Applicable medium: water, non corrosive liquid, saturated vapor  
Nominal pressure: 1.6Mpa  
Work temperature: -20℃ ≤ t ≤ 120℃  
Size: 1/2" × 16, 1/2" × 20, 3/4" × 16, 3/4" × 20



**AK3302**

PP-R angle type live-fit boiler filter valve(female thread)  
Applicable medium: water, non corrosive liquid, saturated vapor  
Nominal pressure: 1.6Mpa  
Work temperature: -20℃ ≤ t ≤ 120℃  
Size: 1/2" × 20, 3/4" × 20



**AK3303**

Angle type live-fit boiler filter valve(female and male thread)  
Applicable medium: water, non corrosive liquid, saturated vapor  
Nominal pressure: 1.6Mpa  
Work temperature: -20℃ ≤ t ≤ 120℃  
Size: F1/2" × M1/2", F3/4" × M1/2"  
F3/4" × M3/4"(1/2"body), F3/4" × M3/4"(3/4"body)



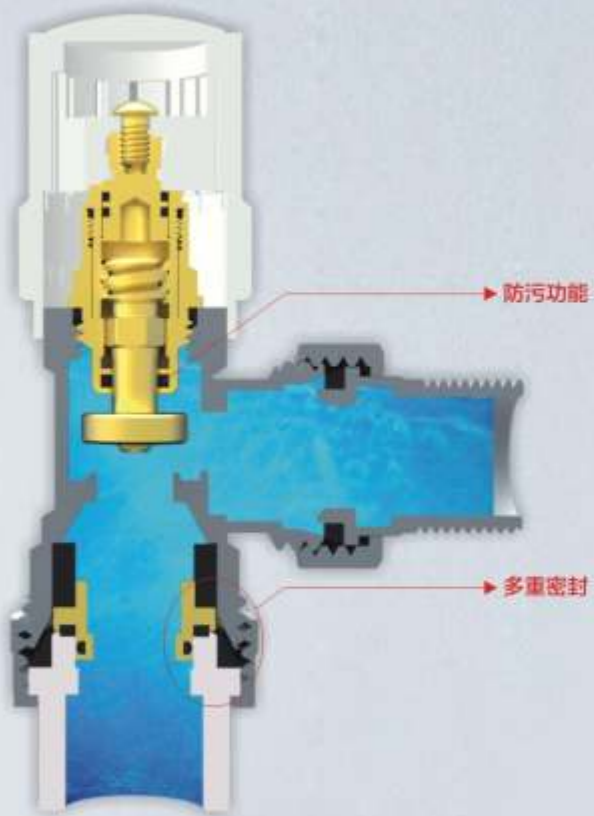
**PRODUCT FEATURES**

Applicable medium: water, non corrosive liquid, saturated vapor  
Nominal pressure: 1.6Mpa  
Work temperature: 0℃ ≤ t ≤ 100℃



# KDV®

温控阀系列



### 自动温控阀:

散热器温控阀是以室内温度为基础，通过温控阀自动调节来改变经过散热器的热水流量；当房间温度低于所设定的温度值时，阀门自动打开（或逐渐增大）散热器对房间加热，直至房间温度达到设定值。当房间温度的升高使感温包膨胀，导致阀门逐渐关小（或关闭），散热器将降低加热速度（或停止加热）。

### 手动温控阀:

产品特点：手动温控阀采用一键到位防污阀芯，手轮只需旋转270°可实现开启至关闭状态，根据手轮的刻度显示能更精确达到温度的控制，防污功能：因水中会存在金属杂质，当金属杂质进入阀芯内部时，阀芯会出现卡阻、卡死等现象，此款阀芯结构采用密封圈密封，防止阀芯内部进入水流，保证水流无法进入到阀芯内部，杜绝阀芯卡死，导致手轮无法转动等现象。



### AK4001

PP-R angle type live-fit manual temperature control(male thread)  
Applicable medium: water, non corrosive liquid, saturated vapor  
Nominal pressure: 1.6Mpa  
Work temperature: -20℃ ≤ t ≤ 120℃  
Size: 1/2" × 20



### AK4002

PP-R angle type live-fit manual temperature control(male thread)  
Applicable medium: water, non corrosive liquid, saturated vapor  
Nominal pressure: 1.6Mpa  
Work temperature: -20℃ ≤ t ≤ 120℃  
Size: 1/2" × 20, 3/4" × 20, 3/4" × 25



### AK4003

PP-R angle type live-fit automatic temperature control(male thread)  
Applicable medium: water, non corrosive liquid, saturated vapor  
Nominal pressure: 1.6Mpa  
Work temperature: -20℃ ≤ t ≤ 120℃  
Size: 1/2" × 20



### AK4004

PP-R angle type live-fit automatic temperature control(male thread)  
Applicable medium: water, non corrosive liquid, saturated vapor  
Nominal pressure: 1.6Mpa  
Work temperature: -20℃ ≤ t ≤ 120℃  
Size: 1/2" × 20, 3/4" × 20, 3/4" × 25



### AK4005

PP-R angle type live-fit return valve(male thread)  
Applicable medium: water, non corrosive liquid, saturated vapor  
Nominal pressure: 1.6Mpa  
Work temperature: -20℃ ≤ t ≤ 120℃  
Size: 1/2" × 20



### AK4006

PP-R angle type live-fit return valve(male thread)  
Applicable medium: water, non corrosive liquid, saturated vapor  
Nominal pressure: 1.6Mpa  
Work temperature: -20℃ ≤ t ≤ 120℃  
Size: 1/2" × 20, 3/4" × 20, 3/4" × 25



英国安可科技有限公司

## PRODUCT FEATURES

Applicable medium: water, non corrosive liquid, saturated vapor  
Nominal pressure: 1.6Mpa  
Work temperature:  $-20^{\circ}\text{C} \leq t \leq 120^{\circ}\text{C}$



### AK4101

PP-R straight-type live-fit manual temperature control (male thread)  
Applicable medium: water, non corrosive liquid, saturated vapor  
Nominal pressure: 1.6Mpa  
Work temperature:  $-20^{\circ}\text{C} \leq t \leq 120^{\circ}\text{C}$   
Size:  $1/2'' \times 20$



### AK4102

PP-R straight-type live-fit manual temperature control (male thread)  
Applicable medium: water, non corrosive liquid, saturated vapor  
Nominal pressure: 1.6Mpa  
Work temperature:  $-20^{\circ}\text{C} \leq t \leq 120^{\circ}\text{C}$   
Size:  $1/2'' \times 20$ ,  $3/4'' \times 20$ ,  $3/4'' \times 25$



### AK4103

PP-R straight-type live-fit automatic temperature control (male thread)  
Applicable medium: water, non corrosive liquid, saturated vapor  
Nominal pressure: 1.6Mpa  
Work temperature:  $-20^{\circ}\text{C} \leq t \leq 120^{\circ}\text{C}$   
Size:  $1/2'' \times 20$



### AK4104

PP-R straight-type live-fit automatic temperature control (male thread)  
Applicable medium: water, non corrosive liquid, saturated vapor  
Nominal pressure: 1.6Mpa  
Work temperature:  $-20^{\circ}\text{C} \leq t \leq 120^{\circ}\text{C}$   
Size:  $1/2'' \times 20$ ,  $3/4'' \times 20$ ,  $3/4'' \times 25$



### AK4105

PP-R straight-type live-fit return valve (male thread)  
Applicable medium: water, non corrosive liquid, saturated vapor  
Nominal pressure: 1.6Mpa  
Work temperature:  $-20^{\circ}\text{C} \leq t \leq 120^{\circ}\text{C}$   
Size:  $1/2'' \times 20$



### AK4106

PP-R straight-type live-fit return valve (male thread)  
Applicable medium: water, non corrosive liquid, saturated vapor  
Nominal pressure: 1.6Mpa  
Work temperature:  $-20^{\circ}\text{C} \leq t \leq 120^{\circ}\text{C}$   
Size:  $1/2'' \times 20$ ,  $3/4'' \times 20$ ,  $3/4'' \times 25$



英国安可科技有限公司

## 温控阀系列



### AK4202

Angle type live-fit PE-AL pipe manual temperature control (male thread)  
Applicable medium: water, non corrosive liquid, saturated vapor  
Nominal pressure: 1.6Mpa  
Work temperature:  $-20^{\circ}\text{C} \leq t \leq 120^{\circ}\text{C}$   
Size:  $1/2'' \times 16$ ,  $1/2'' \times 20$ ,  $3/4'' \times 16$ ,  $3/4'' \times 20$



### AK4204

Angle type live-fit PE-AL pipe automatic temperature control (male thread)  
Applicable medium: water, non corrosive liquid, saturated vapor  
Nominal pressure: 1.6Mpa  
Work temperature:  $-20^{\circ}\text{C} \leq t \leq 120^{\circ}\text{C}$   
Size:  $1/2'' \times 16$ ,  $1/2'' \times 20$ ,  $3/4'' \times 16$ ,  $3/4'' \times 20$



### AK4206

Angle type live-fit PE-AL pipe return valve (male thread)  
Applicable medium: water, non corrosive liquid, saturated vapor  
Nominal pressure: 1.6Mpa  
Work temperature:  $-20^{\circ}\text{C} \leq t \leq 120^{\circ}\text{C}$   
Size:  $1/2'' \times 16$ ,  $1/2'' \times 20$ ,  $3/4'' \times 16$ ,  $3/4'' \times 20$



### AK4201

Angle type live-fit PE-AL pipe manual temperature control (male thread)  
Applicable medium: water, non corrosive liquid, saturated vapor  
Nominal pressure: 1.6Mpa  
Work temperature:  $-20^{\circ}\text{C} \leq t \leq 120^{\circ}\text{C}$   
Size:  $1/2'' \times 16$ ,  $1/2'' \times 20$



### AK4203

Angle type live-fit PE-AL pipe automatic temperature control (male thread)  
Applicable medium: water, non corrosive liquid, saturated vapor  
Nominal pressure: 1.6Mpa  
Work temperature:  $-20^{\circ}\text{C} \leq t \leq 120^{\circ}\text{C}$   
Size:  $1/2'' \times 16$ ,  $1/2'' \times 20$



### AK4205

Angle type live-fit PE-AL pipe return valve (male thread)  
Applicable medium: water, non corrosive liquid, saturated vapor  
Nominal pressure: 1.6Mpa  
Work temperature:  $-20^{\circ}\text{C} \leq t \leq 120^{\circ}\text{C}$   
Size:  $1/2'' \times 16$ ,  $1/2'' \times 20$



**AK4303**

Straight-type live-fit PE-AL pipe automatic temperature control(male thread)  
Applicable medium: water, non corrosive liquid, saturated vapor  
Nominal pressure: 1.6Mpa  
Work temperature: -20℃ ≤ t ≤ 120 ℃  
Size: 1/2" × 16, 1/2" × 20



**AK4302**

Straight-type live-fit PE-AL pipe manual temperature control(male thread)  
Applicable medium: water, non corrosive liquid, saturated vapor  
Nominal pressure: 1.6Mpa  
Work temperature: -20℃ ≤ t ≤ 120 ℃  
Size: 1/2" × 16, 1/2" × 20, 3/4" × 16, 3/4" × 20



**AK4301**

Straight-type live-fit PE-AL pipe manual temperature control(male thread)  
Applicable medium: water, non corrosive liquid, saturated vapor  
Nominal pressure: 1.6Mpa  
Work temperature: -20℃ ≤ t ≤ 120 ℃  
Size: 1/2" × 16, 1/2" × 20



**AK4304**

Straight-type live-fit PE-AL pipe automatic temperature control(male thread)  
Applicable medium: water, non corrosive liquid, saturated vapor  
Nominal pressure: 1.6Mpa  
Work temperature: -20℃ ≤ t ≤ 120 ℃  
Size: 1/2" × 16, 1/2" × 20, 3/4" × 16, 3/4" × 20



**AK4305**

Straight-type live-fit PE-AL pipe return valve(male thread)  
Applicable medium: water, non corrosive liquid, saturated vapor  
Nominal pressure: 1.6Mpa  
Work temperature: -20℃ ≤ t ≤ 120 ℃  
Size: 1/2" × 16, 1/2" × 20



**AK4306**

Straight-type live-fit PE-AL pipe return valve(male thread)  
Applicable medium: water, non corrosive liquid, saturated vapor  
Nominal pressure: 1.6Mpa  
Work temperature: -20℃ ≤ t ≤ 120 ℃  
Size: 1/2" × 16, 1/2" × 20, 3/4" × 16, 3/4" × 20



英国安可科技有限公司

# 70.000.000

## 家庭 初见之选

安可迪维已为全球数千万家庭提供高品质产品  
安可迪维以科技驱动未来，品质改变生活为目标，将为社会高端消费群体提供专业的供暖设备

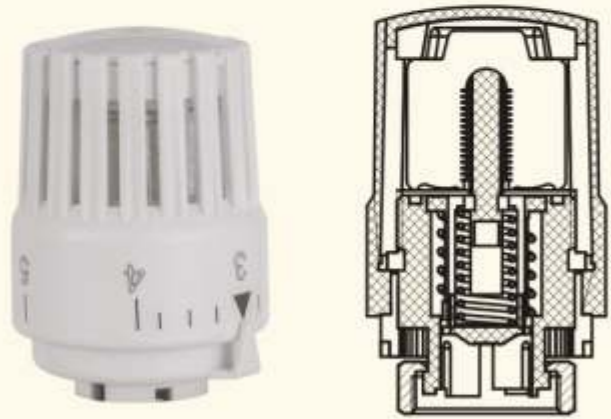
*Akdv*

**KDV®**  
安可迪维





## 温度调节:

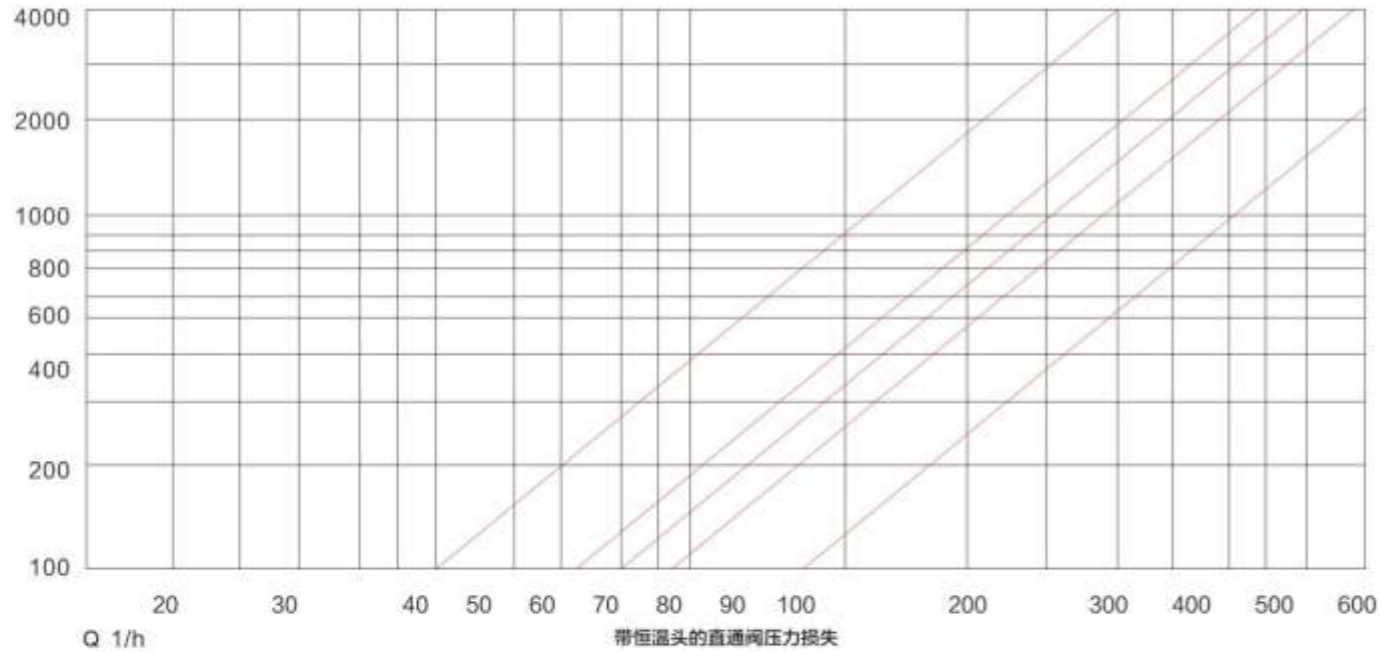


\*.....1.....2.....3.....4.....5  
6°C 12°C 16°C 20°C 24°C 28°C

### 防冻

防冻位置“\*”可预防供暖装置被冻住。如长时间离开房间，就应将恒温阀头刻度线转到防冻标志“\*”并对准调节表示，一旦房间温度下降到6°C以下，阀门自动打开，热水便流进散热器，这样可以防止供暖装置被冻住。

### 压力损失曲线:



### 设定温度与调节安装:

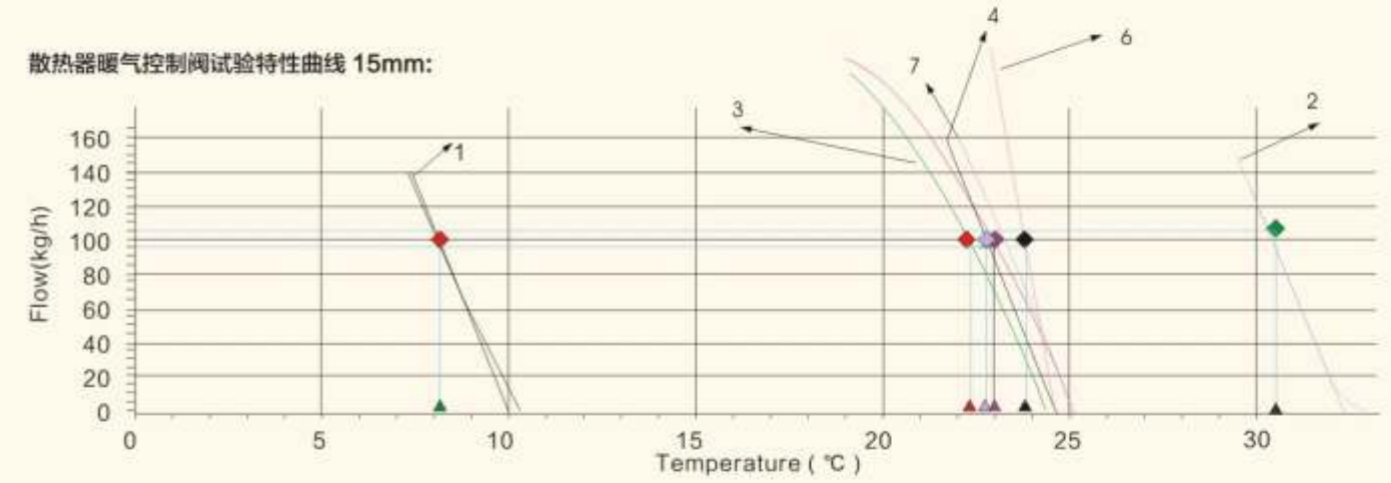
1. 将温控阀通过联接螺管安装在散热器进水管上。
2. 温控阀应安装在室内与空气直接接触部位，温控阀不应放在暖气罩内。
3. 由于垂直安装温控阀会受到影响，恒温头必须水平安装，这样可充分感受周围环境的热能，保证正常工作。
4. 安装传感器时：外壳刻度调到5，让阀全开。再套于阀体上，对正位置，将联接帽顺时针拧紧。
5. 现在可以旋转调整外套，在\*—5之间设定需要的室温。
6. 夜间入睡时建议设定刻度。
7. 外出或通风时建议设定刻度。
8. 通常采暖设定。
9. 非常采暖设定。

## 技术规格

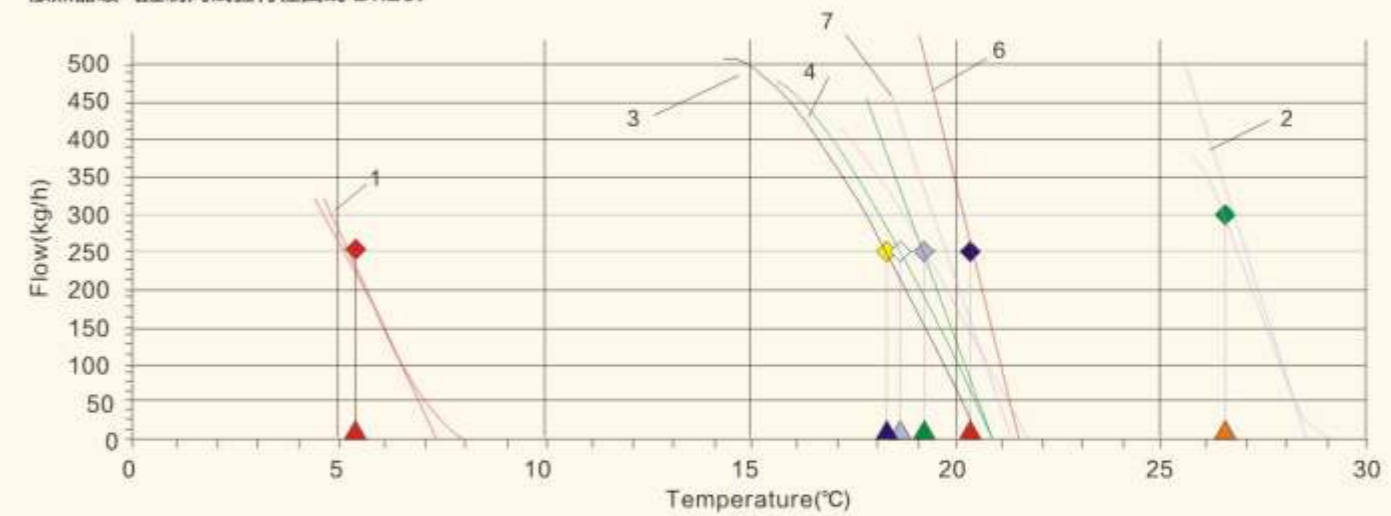
具有恒温头可逆向流的双通阀体，内置带有填充了液体元素的传感器，对于设定温度的时刻相应范围（0-5）能被垂直和水平展开。

描述	15mm	DN15	DN20
温度范围		6°C to 28°C	
最大测试压力		20 Bar	
最大静态压力		10 Bar	
最大压差		1.0 Bar	
最大的水温		110 °C	
标称流量	53kg/h	55kg/h	250kg/h
滞后现象	0.4k	0.6k	0.3k
压差影响	0.3k	0.2k	0.5k
静压影响	0.2k	0.3k	0.6k
1K	27kg/h	28kg/h	130kg/h
2K	53kg/h	55kg/h	250kg/h
KVS	1.0m/h	1.0m/h	2.0m/h

### 散热器暖气控制阀试验特性曲线 15mm:



### 散热器暖气控制阀试验特性曲线 Dn20:



- 曲线1: 温度选择器 最小设定时的开启特性;
- 曲线2: 温度选择器 最大设定时的开启特性;
- 曲线3: 温度选择器 中间位置设定时的开启特性;
- 曲线4: 温度选择器 中间位置设定时的关闭特性;
- 曲线6: 温度选择器 中间位置设定时, 压差为60Kpa的关闭特性;
- 曲线7: 温度选择器 升在中间位置时, 系统静压为1000Kpa时的关闭特性。

## AK5001

### 产品特点:

- 1、固有气体和升温后气泡有效排除
- 2、水中金属杂质、建筑杂质有效排除
- 3、解决管道杂音问题
- 4、有效解决系统的氧腐蚀性，延长系统设备使用寿命

### 产品优点:

1. 无需维护、安装简便
2. 万能转接：可与G1"内外丝、PP-R、PB、PERT、铝塑等管道随意连接
3. 细小颗粒杂质有效过滤 (≥5um)

## PRODUCT FEATURE:

Material: Forging brass  
 Applicable medium: hot and cold water  
 Maximum working pressure : 1.6Mpa  
 Operating temperature: -20℃≤t≤120℃



Live-fit (female thread)



Live-fit (male thread)

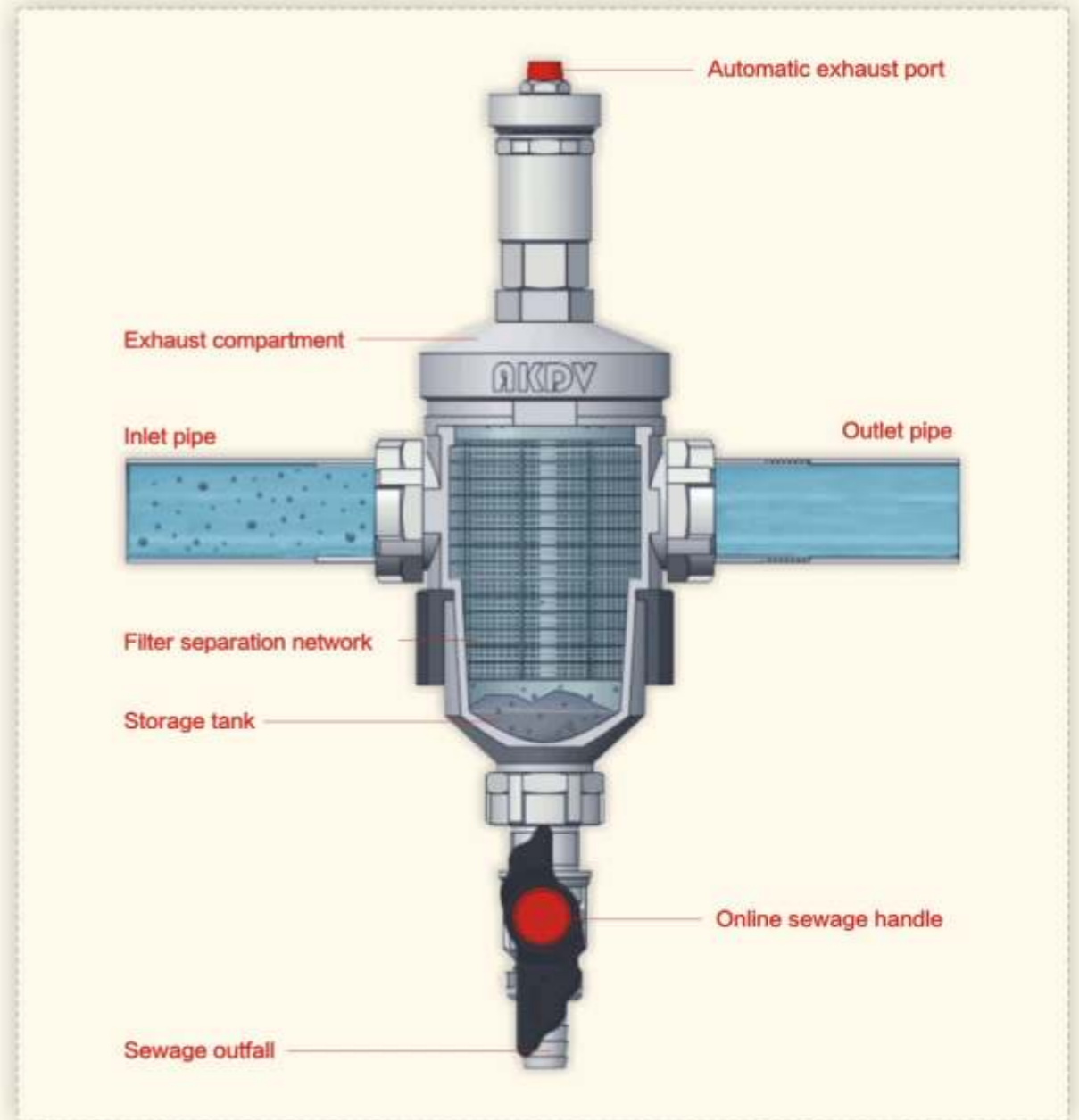


PP-R Live-fit

## 产品说明:



除能连续有效地自动运行,轻松排除系统存在的微泡气体。特殊的金属螺旋网结构,能够使杂质颗粒沉积在储污舱内,加速杂质颗粒下沉,符合几何学结构,利用重心沉降方式分离,螺旋网压损极低,流动阻力也微乎其微,同时收集在储污舱内杂质通过排污阀动态在线排污,特别设计的储污舱外围圆形环,内置了四个超强磁石能进一步吸附水中的铁屑。



# KDV®

膨胀罐

**产品说明:**

膨胀罐广泛应用于空调、太阳能、锅炉等暖通系统以及供水和消防设备，缓冲系统压力波动。膨胀罐的作用总的来说是缓冲系统的压力波动，不让系统压力升高太快也不让系统压力下降过猛，让系统在一个相对平稳的压力下运行。但在闭式循环系统和供水系统里面的作用也不完全一样。在空调、太阳能、锅炉、地暖等闭式循环系统中，膨胀罐的作用是在工作介质温度升高体积膨胀时吸收膨胀量，防止系统压力升高过快，在工作介质温度降低体积收缩时释放气囊内的液体，补充到系统，不让系统压力下降过猛，减少安全阀的泄压次数和自动补水阀的补水次数；在变频供水、气压供水和消防等供水系统上，膨胀罐的主要作用是缓冲水泵启动和停止以及系统阀门开启和关闭时产生的水锤冲击，防止水锤损坏管道以及系统上的元器件，以及在用水低谷期保证水泵足够的休息时间，不光节能还能延长水泵的使用寿命。



## AK5601

Preload pressure: 0.2Mpa  
Working temperature: -20℃ ≤ t ≤ 120℃  
Size: M1/2"



32 years

无惧征途、  
志向高远的传奇历史始于  
无谓挑战、



### 偏心管

**产品说明:**

混水罐在连接分集水器时，因分水器与集水器不在同一平面上，和混水罐无法直接连接，通常都用波纹管连接，因波纹管长度普遍较长，波纹管需弯曲连接，在整套系统组装后管子错综复杂，影响极大影响美观度及流量受阻，偏心管结构根据分集水器偏心距离，所设定的尺寸，有效的解决系统的美观度及流量受阻使安装更简便



**AK6001**

Deviation center tube live-fit (female and male thread)  
Nominal pressure: PN < 1.0Mpa  
Work temperature: 0℃ < t < 100℃  
Size: 1" × 1"



**AK6002**

Deviation center tube live-fit (male thread)  
Nominal pressure: PN < 1.0Mpa  
Work temperature: 0℃ < t < 100℃  
Size: 1" × 1"



**AK6003**

Deviation center tube live-fit (female thread)  
Nominal pressure: PN < 1.0Mpa  
Work temperature: 0℃ < t < 100℃  
Size: 1" × 1"



## 产品说明:

### 加长管:

当两个相同角式球阀在连接混水罐时,因混水罐接口长度是相同的,管道管子无法直接连接,通常都用波纹管连接,因波纹管长度普遍较长,波纹管需弯曲连接,在整套系统组装后管子错综复杂,影响极度影响美观度及流量受阻,加长管根据角式球阀错位距离,所设定的尺寸,有效的解决系统的美观度及流量受阻使安装更简便。



### AK6101

加长管

Size: M1" x F1"  
length: 80mm



# KDV®

伸缩管

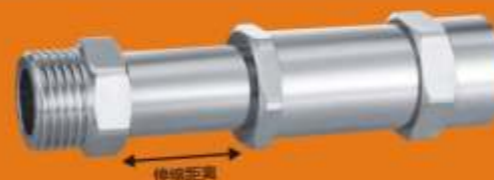
## 产品说明:

壁挂炉角阀外丝在连接墙壁时,通常都用波纹管连接,因波纹管长度普遍较长,波纹管需弯曲连接,在整套系统组装后管子错综复杂,影响极度影响美观度及流量受阻,伸缩管结构根据常规壁挂炉接口到背面距离,所设定的尺寸,可根据不同尺寸距离拉伸至所需求的长度,有效的解决系统的美观度及流量受阻使安装更简便。



## AK6102

Nominal pressure: PN ≤ 1.0Mpa  
Work temperature: 0℃ ≤ t ≤ 100℃  
Size: M1/2" x F1/2", M3/4" x F1/2",  
M1/2" x F3/4", M3/4" x F3/4"



## AK0701

Operating temperature range: 0 - 50 °C  
 Ambient temperature display accuracy: 0.1 °C  
 Set the temperature display range: 5 - 35 °C  
 Set the temperature display accuracy: 0.5 °C  
 Temperature control accuracy: < 1 °C  
 High and low temperature protection: 35 - 70 °C  
 Power supply voltage: 220VAC ± 10% 50 / 60HZ  
 Display: 2.6 inch TFT color screen  
 Load current: water heating: GA 3A Electric heating: GB 16A  
 Shell: all imported ABS + PC flame retardant  
 Host size: 90 × 90 × 21.8mm  
 Machine size: 100 × 100 × 59.8mm



## AK0702

Operating temperature range: 0 - 50 °C  
 Ambient temperature display accuracy: 0.5 °C  
 Set the temperature display range: 5 - 35 °C  
 Set the temperature display accuracy: 0.5 °C  
 Temperature control accuracy: < 1 °C  
 High and low temperature protection: 35 - 70 °C  
 Power supply voltage: 220VAC ± 10% 50 / 60HZ  
 Load current: water heating: GA 3A Electric heating: GB 16A  
 Machine size: 100 × 100 × 59.8mm

## AK0703

Operating temperature range: 0 - 50 °C  
 Ambient temperature display accuracy: 0.5 °C  
 Set the temperature display range: 5 - 35 °C  
 Set the temperature display accuracy: 0.5 °C  
 Temperature control accuracy: < 1 °C  
 High and low temperature protection: 35 - 70 °C  
 Power supply voltage: 220VAC ± 10% 50 / 60HZ  
 Load current: water heating: GA 3A Electric heating: GB 16A  
 Machine size: 100 × 100 × 59.8mm



## AK0710

Actuator  
 Voltage: 230 VAC, +10% to -10%, 50/60 Hz  
 Power consumption: 2W  
 Stroke: 3.5mm  
 Thrust: 100N + 5%

Switch on current: MAX.300mA  
 Operating current: 8mA  
 Switch time: 3 minutes  
 Connection size: M30 × 1.5  
 Storage temperature: -25 °C - +60 °C



AK5650

## 连接罐

### 产品说明:

解决系统大导致局部温度过低的问题;有效改善因局部管路选择不合理导致温度低问题;解决壁挂炉供多层问题;解决地暖、散热器混装流量和温度不一致问题。分压混水罐具有使一次循环及二次循环相对独立运行。每一个循环系统的流量只取决于自身水泵的技术参数特点,避免因为水泵串联造成相互干扰。运用混水罐后二次循环系统只有在自身的水泵开启时才工作,当二次循环水泵关闭时,一次循环系统水泵开启的流量全部从分压混水罐内旁通回到一次系统。分压混水罐最大的特点就是能保证一个定流量的系统和一个变频流量的系统共同存在及运行,有效保护独立供热设备的系统安全,同时能提高供暖设备的运行效率,节能。

Material: stainless steel  
 Applicable medium: water, non corrosive liquid, saturated steam  
 Maximum working pressure: 1.6Mpa  
 Working temperature: -20°C ≤ t ≤ 120°C  
 Main interface: 3/4, "G1", G1-1/4"



## 膨胀罐

### 产品说明:

膨胀罐广泛应用于空调,太阳能,锅炉等暖通系统以及供水和消防设备,缓冲系统压力波动。膨胀罐的作用总的来说是缓冲系统的压力波动,不让系统压力升高太快也不让系统压力下降过猛,让系统在一个相对平稳的压力下运行,但在闭式循环系统和供水系统里面的作用也不完全一样,在空调、太阳能、锅炉、地暖等闭式循环系统中,膨胀罐的作用是在工作介质温度升高体积膨胀时吸收膨胀量,防止系统压力升高过快,在工作介质温度降低体积收缩时释放气囊内的液体,补充到系统,不让系统压力下降过猛,减少安全阀的泄压次数和自动补水的补水次数;在变频供水,气压供水和消防等供水系统上,膨胀罐的主要作用是缓冲水泵启动和停止以及系统阀门开启和关闭时产生的水锤冲击,防止水锤损坏管道以及系统上的元器件,以及在用水低峰期保证水泵足够的休眠时间,不光节能还能延长水泵的使用寿命。



## AK5660

Preload pressure: 0.2Mpa  
 Working temperature: -20°C ≤ t ≤ 120°C  
 Main interface: 3/4, "G1"



无惧征途、  
无谓挑战、志向高远的传奇历史始于



**AK6301**

Exhaust valve  
Nominal pressure: PN<1.6Mpa  
Work temperature: -20℃<t<120 ℃  
Size: 3/8", 1/2"



**AK6302**

Three-piece end(female and male thread)  
Nominal pressure: PN<0.3Mpa, 0.6Mpa  
Work temperature: -20℃<t<120 ℃  
Size: M1/2"×F1/2", M1/2"×F3/4"

**AK6401**

Three-piece end(male thread)  
Nominal pressure: PN<1.6Mpa  
Work temperature: -20℃<t<120 ℃  
Size: 1"



**AK6402**

Three-piece end(female thread)  
Nominal pressure: PN<1.6Mpa  
Work temperature: -20℃<t<120 ℃  
Size: 1"



**AK6801**

Temperature Pressure gauge  
Size: 1/4"



**AK6501**

Capillary Connector  
Nominal pressure: PN<1.0Mpa  
Work temperature: 0℃<t<100 ℃  
Size: 3/4"×7.5mm



**AK6502**

Capillary Connector  
Nominal pressure: PN<1.0Mpa  
Work temperature: 0℃<t<100 ℃  
Size: 3/4"×7.5mm



**AK6503**

Capillary Connector  
Nominal pressure: PN<1.0Mpa  
Work temperature: 0℃<t<100 ℃  
Size: 3/4"×7.5mm



**AK6601**

Reduced take over(male thread)  
Nominal pressure: PN<1.0Mpa  
Work temperature: 0℃<t<100 ℃  
Size: 1/2", 3/4"



**AK6602**

Live-fit(female thread)  
Nominal pressure: PN<1.0Mpa  
Work temperature: 0℃<t<100 ℃  
Size: 1"



英国安可科技有限公司

Product parameters table:

**AK7001**

Direct double PE-AL pipe

Size: 16 × 16, 16 × 20, 20 × 20



**AK7002**

Direct PE-AL pipe (female thread)

Size: 1/2" × 16, 1/2" × 20, 3/4" × 16, 3/4" × 20



**AK7003**

Direct PE-AL pipe (male thread)

Size: 1/2" × 16, 1/2" × 20, 3/4" × 16, 3/4" × 20



**AK7101**

Elbow PE-AL pipe (female thread)

Size: 1/2" × 16, 3/4" × 16, 3/4" × 20



Product parameters table:

**AK7102**

Elbow PE-AL pipe (male thread)

Size: 1/2" × 16, 3/4" × 16, 3/4" × 20



**AK7201**

Three way PE-AL pipe

Size: 16 × 16 × 16, 20 × 20 × 20



**AK7202**

Three way PE-AL pipe (female thread)

Size: 1/2" × 16 × 16, 3/4" × 16 × 16, 3/4" × 20 × 20



**AK7203**

Three way PE-AL pipe (male thread)

Size: 1/2" × 16 × 16, 3/4" × 16 × 16, 3/4" × 20 × 20



Product parameters table:

**AK8001**

Connector live-fit(female and male thread)

Size: M1/2" × F1/2", M1/2" × F3/4", M3/4" × F3/4"

M3/4" × F1", M1" × F1"



**AK8002**

Connector double live-fit(female thread)

Size: 1/2"×1/2", 1/2"×3/4", 3/4"×3/4", 3/4"×1", 1"×1"



**AK8003**

Connector(male thread)

Size: 1/2"×1/2", 1/2"×3/4", 3/4"×3/4", 3/4"×1", 1"×1"



**AK8004**

Connector double live-fit(male thread)

Size: 1"×1"



Product parameters table:

**AK8005**

Switch connector

Size: M3/4" × F1/2", M1" × F3/4"



**AK8101**

Eccentric Connector(male thread)

Size: 1" × 1"



**AK8102**

Eccentric Connector(female and male thread)

Size: M1" × F1"



**AK8103**

Eccentric Connector(female thread)

Size: 1" × 1"

